

# GPM16LR

Peak Torque **730 Ncm**  
 Cont. Torque **73 Ncm**  
 Cont. Power **221 Watts**  
 Speed **<1 to 6000 rpm**

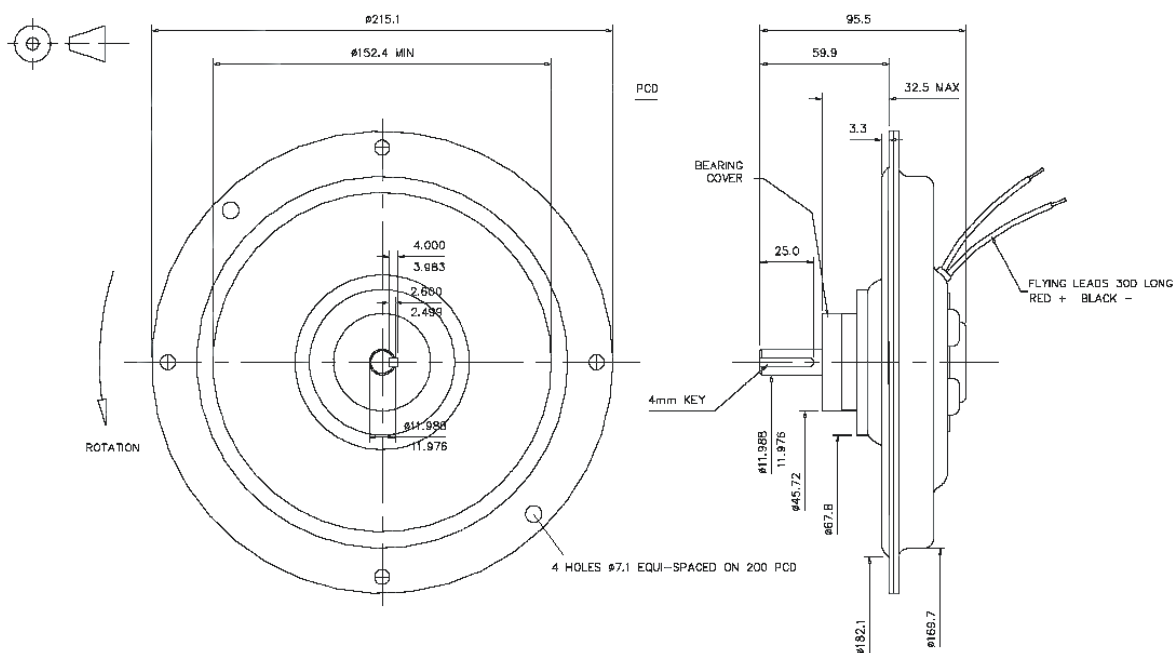
The Printed Motor Works GPM16LR is a totally enclosed dc motor in ultra slim pancake profile designed specifically for low voltage and battery applications. This pancake motor can provide cost effective servo capability at lower voltages, compared with the standard GP series.



GPM16LR

| Motor Constants     | Symbol | Unit        | Value |
|---------------------|--------|-------------|-------|
| Voltage             | Ke     | V/krpm      | 6.3   |
| Torque              | Kt     | Ncm/Amp     | 6.0   |
| Damping             | Kd     | Ncm/1000rpm | 1.0   |
| Friction            | Tf     | Ncm         | 4.9   |
| Terminal Resistance | I      | Ohm         | 0.45  |

| Motor Ratings | Unit  | Value |
|---------------|-------|-------|
| Voltage       | Volts | 24.0  |
| Current       | Amps  | 13.4  |
| Torque        | Ncm   | 73.0  |
| Speed         | RPM   | 2905  |
| Power         | Watts | 221   |



## Sample design modifications

### Shaft

- Round shaft
- Extra flats
- Length variants
- Cut gear
- Other modifications

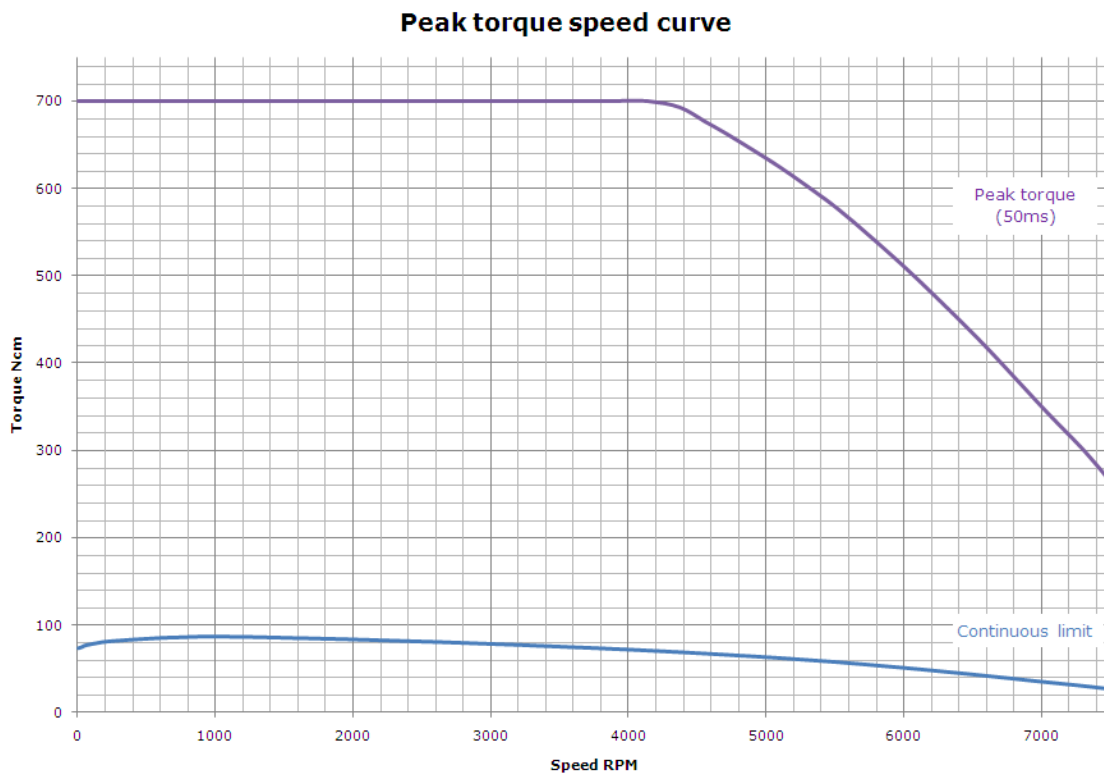
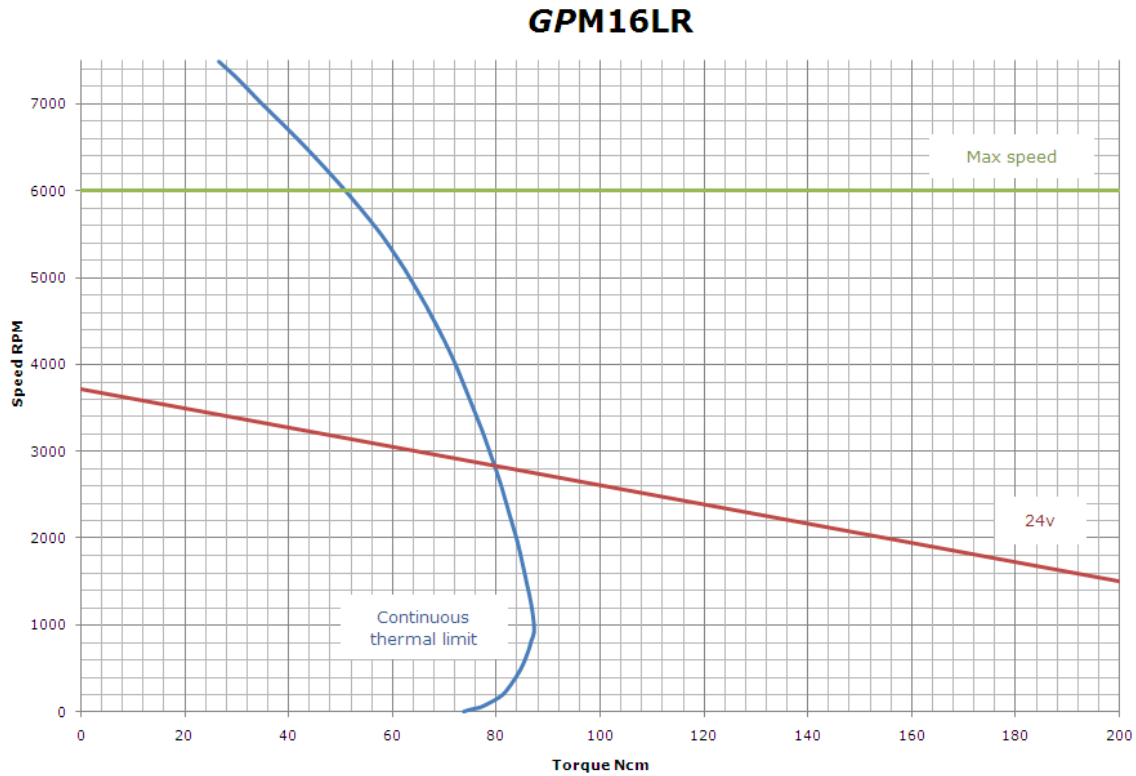
### Brushes

- Long life for continuous duty applications
- Low resistance brushes for servo applications
- High altitude
- Vacuum

### Extra

- EMC suppression
- Long leads
- Connectors
- Tri-rated cable
- Rated for operation in 150°C ambient





NOTE: The angle of the Torque/Speed curve remains the same for higher and lower voltages. The speed varies proportionally from zero rpm relative to the voltage supplied. The stated voltage is an example, not a predefined maximum or minimum. Due to ongoing product improvement data in this datasheet maybe subject to change without notice.